

## Chimera

IP20   

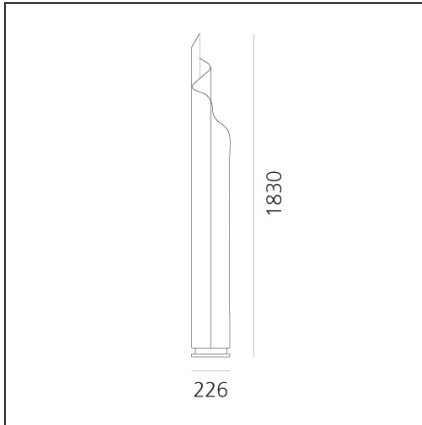
### DESIGN BY

Vico Magistretti

### DESCRIPTION

Base in white painted metal; structure/diffuser in heat-curved white opal methacrylate.

### TECHNICAL DRAWINGS



### FEATURES

|                      |          |                       |                                |
|----------------------|----------|-----------------------|--------------------------------|
| <b>Article Code:</b> | 0084010A | <b>Material:</b>      | Methacrylate, aluminium, zamak |
| <b>Colour:</b>       | White    | <b>Series:</b>        | Design                         |
| <b>Installation:</b> | Floor    | <b>Area contract:</b> | Residential                    |
| <b>Environment:</b>  | Indoor   | <b>Emission:</b>      | Diffused And Filtered          |

### DIMENSIONS

**Height:** cm 180

### INCLUDED SOURCES

|                  |      |
|------------------|------|
| <b>Category:</b> | FLUO |
| <b>Number:</b>   | 3    |
| <b>Watt:</b>     | 28W  |
| <b>Lbs:</b>      | T16  |
| <b>Socket:</b>   | G5   |

### LUMINAIRE

|                      |                       |             |       |
|----------------------|-----------------------|-------------|-------|
| <b>Power Supply:</b> | Electronic Integrated | <b>CCT:</b> | 3000K |
| <b>Watt:</b>         | 84W                   |             |       |
| <b>Voltage:</b>      | 220V-240V             |             |       |